

STAIR RAILING INSTRUCTIONS

STOP! CHECK ALL LOCAL BUILDING CODES BEFORE YOU BEGIN!

Instructional Video at <http://preferredrailingsystems.com/>

1 Gather necessary tools before installation (check box)

Pencil
Tape measure
Level
Cordless drill or impact

Miter saw
Right angle driver
#1 Square bit
#2 Square bit

#2 Phillips bit
Clamps
Speed square
String line

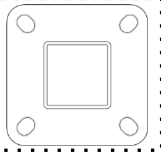
Manufacturer Recommends:
Impact Ready Right-Angle Attachment

All posts above 1-story must be an IRC OR IBC code rated post

2 Make sure the correct posts are being used

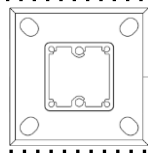
1-7/8" Standard:

NON-RATED



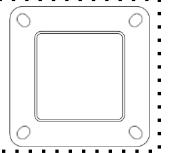
1-7/8" Structural:

IRC RATED



3.5" Standard:

IBC RATED



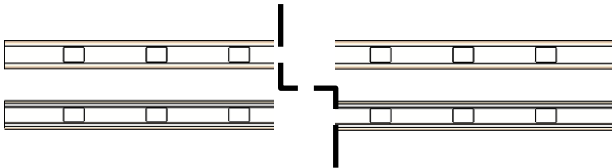
3 Make sure the following components are included (check box)

1 - Top stair rail with baluster slots

1 - Bottom stair rail with baluster slots

2 - Stair bracket kits + hardware

Balusters (8 for 4', 13 for 6', and 18 for 8')



Your bottom post MUST BE a 45" post for RESIDENTIAL or 54" for COMMERCIAL

4 Post Placement

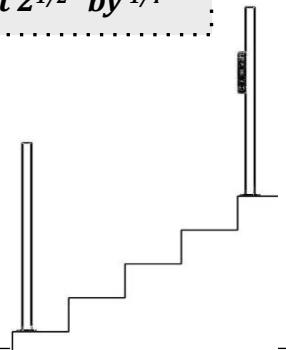
- *Posts and post accessories are sold separately.
- Determine the position of all posts.
- Use the composite shims (2) included with your posts to ensure your posts are plumb. Do not continue if top posts are not level.
- Install top posts by first predrilling and then using **bolts (not included) to fasten through the decking and into the structure to hold the posts in place. Break off or cut off the shims.

MAKE SURE your bottom post is taller than your top post

Cement deck: Tap Con with washer

Wood deck: Spax

Bolt size must be at least 2^{1/2}" by 1/4"

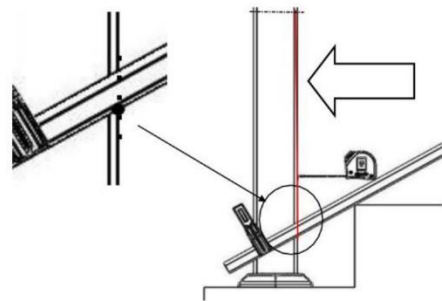
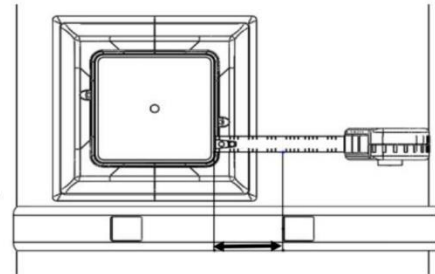


5 Rail Length

- *Temporarily position the bottom post.*
- *Lay bottom rail onto stair treads.*
- *Evenly space stair rail making sure the space is at 2-5/8" and no more than 4" away at the top and bottom of the section. If you are not within these measurements adjust your bottom posts.*
- *With the rail laying on the stair treads clamp the rail into position on the top and bottom post. Now mark a line on the side of the rail at the top and bottom of the rail section, as shown with the dotted line.*
- *Mark which ends of the rails were clamped at the top and bottom of the landing*
- *Using a tape measurer, measure 38" (44" for commercial installations) from the bottom vertex created by post and rail (marked with black dot) toward the top of the post (shown by arrow). Mark this measurement, remove post, cut along the mark you just made, and finish installing the shortened post.*

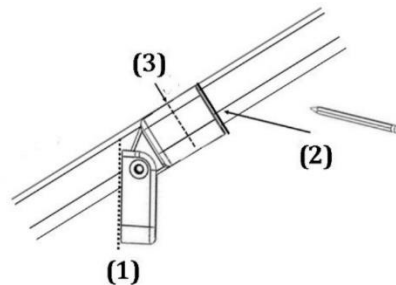
Manufacturer Tip:

If the railing does not have the desired spacing you need, move the bottom post along the bottom tread until desired spacing is achieved.



6 Cutting Stair Rail

- *Lay rail flat and place the assembled top and bottom brackets on top of rail.*
- *Using the line, you previously marked on the rail (1), align the assembled brackets, using the marked line (1) to represent the post.*
- *Measure 1" from the front of the bracket (2) and mark your cut line (3).*
- *Use miter saw and cut the rail at the cut line (3).*
- *Align with your top rail and mark cut lines (3) then repeat the previous process.*

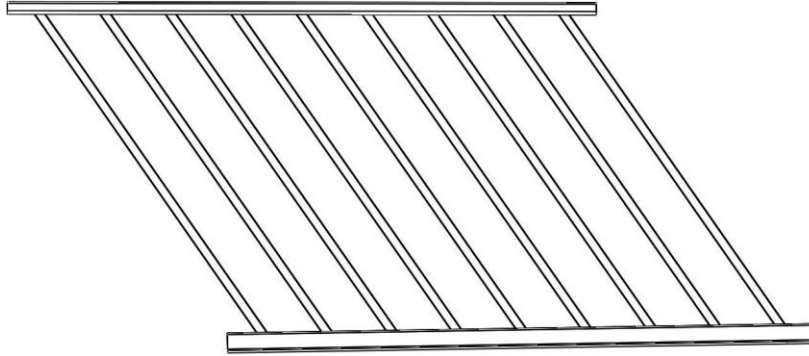


V3.S.C-00000102

V3.S.C-00000102

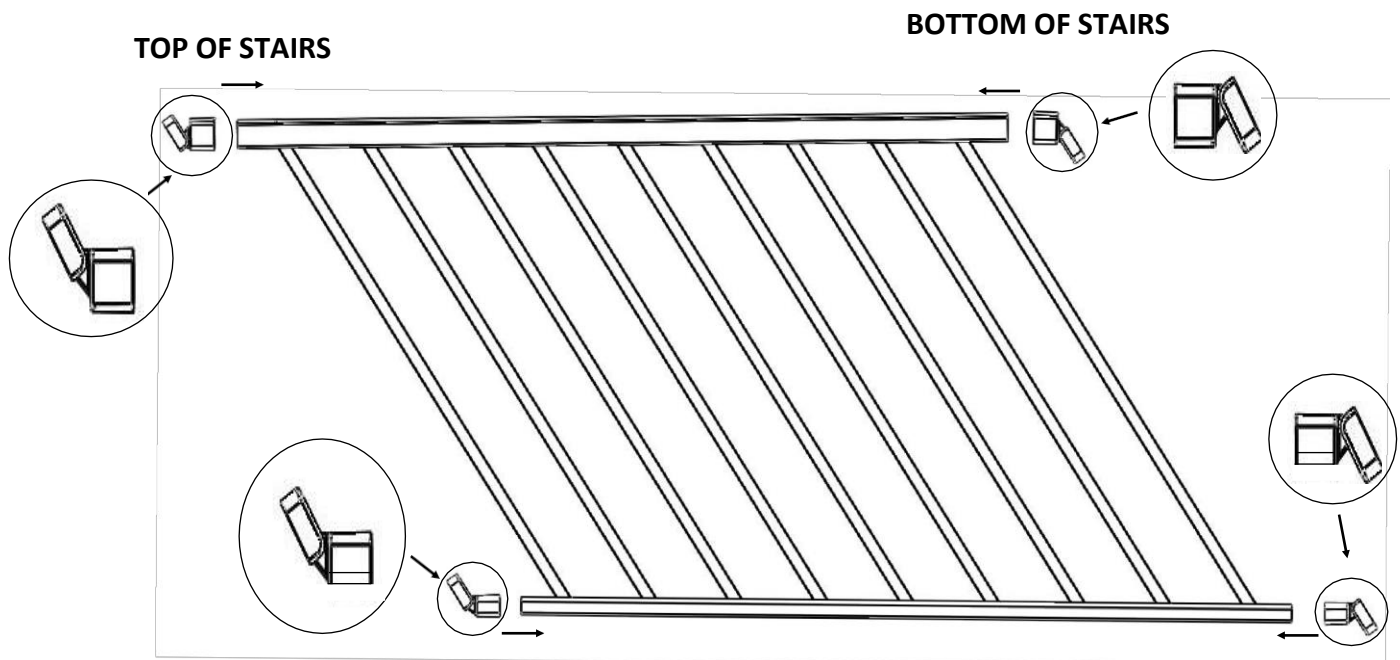
7 Racking Rail Assembly

- *With protective blanket or cardboard, lay top rail down with cut-outs facing up.*
- *Install balusters into cut-outs, using a rubber mallet if needed.*
- *Place bottom rail on top of balusters with cut-outs facing down. If needed, use rubber mallet until fully compressed.*
- *Rack rail into an angle as shown.*
- *Make sure all balusters are completely inserted into the railings before moving on.*



8 Installing Brackets to Rails

- *Assemble top and bottom bracket assemblies as shown in drawing, with the opening of the Post Mount facing up at the top of the stairs and facing down at the bottom of the stairs.*
- *Slide brackets onto the rails as shown, making sure the Post Mount position is opposite on each end. Brackets at the bottom of the run must have a position such as the brackets on the right of the image. Opposite applies to brackets at top of run.*



9 Installing Rail Section

- *Clamp the rail into position using the stair bracket post mounts, ensuring the brackets are centered and that there is 36" (42" for commercial) from the nose of the stair to the top of the rail. Also doing this for the the botom of the stair.*
- *Using the level, check to see if the balusters are plumb. Measure the gaps between balusters to ensure even spacing.*
- *After the stair post mounts are attached, use the #8 x 3/4 self tapping screws to attach the brackets to the railing, on the underside. (IF not acessable screw into side of brackets).*

